



About Warnings



WARNING: A **WARNING** indicates a potential for property damage, personal injury, or death.

Installing Your Dell™ OptiPlex™ XE in an Ingress Protection 51 (IP51) Kit



WARNING: Before working inside your computer, read the safety information that shipped with your computer. For additional safety best practices information, see the Regulatory Compliance Homepage at www.dell.com/regulatory_compliance.



CAUTION: A minimum space of 10.2 cm (4 inches) is required in the front and back of the computer to ensure proper ventilation.



CAUTION: To avoid overheating, it is recommended to maintain an ambient temperature of less than 40 °C (104 °F) when you use the computer with the IP51 kit.



NOTE: You need a PCI card slot to install the PCI card-slot filler that ships with the IP51 kit. You must install the PCI card-slot filler in order to correctly route the fan power-cable connector from the IP51 kit.

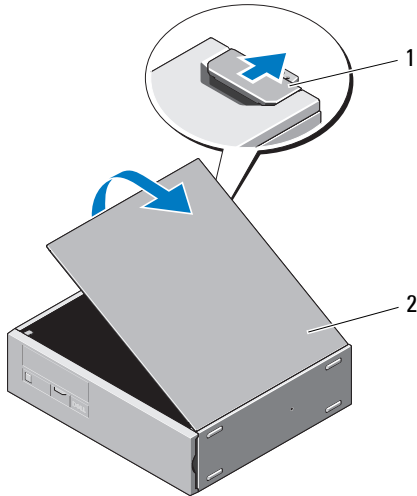


NOTE: When the computer is installed in the IP51 kit, you will not have access to the two USB connectors at the front of the computer and the optical drive. You will still have access to the external power-button connector.



NOTE: For more information on removing and replacing parts in your computer, see the *Service Manual* on the Dell Support website at support.dell.com/manuals.

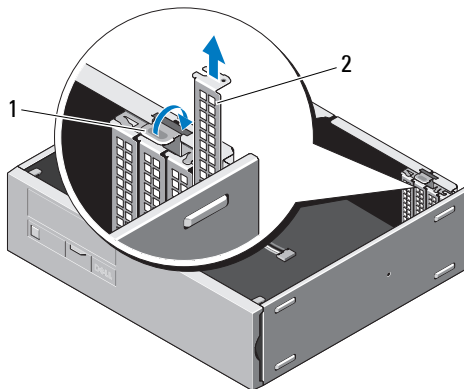
- 1 Open the computer cover.



1 cover-release latch

2 computer cover

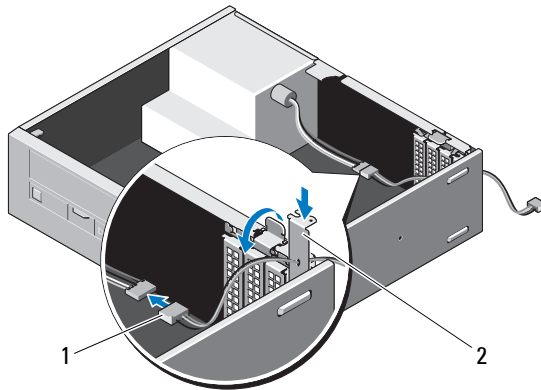
- 2 Open the PCI-card retention clip and remove any unused PCI card-slot filler panel.



1 PCI-card retention clip

2 PCI card-slot filler panel

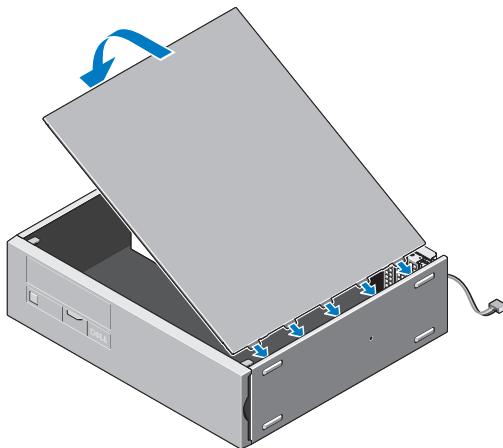
- 3 Install the PCI card-slot filler (shipped with the IP51 kit) into the empty PCI card slot.



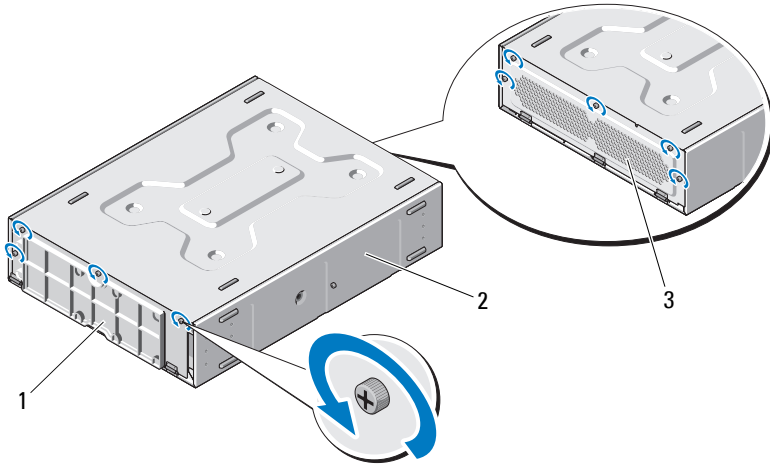
1 fan power cable

2 PCI card-slot filler

- 4 Connect the fan power-cable connector on the PCI card-slot filler to a 4-pin power connector.
- 5 Replace the computer cover.



6 Remove the front-panel and back-panel screws from the IP51 kit.

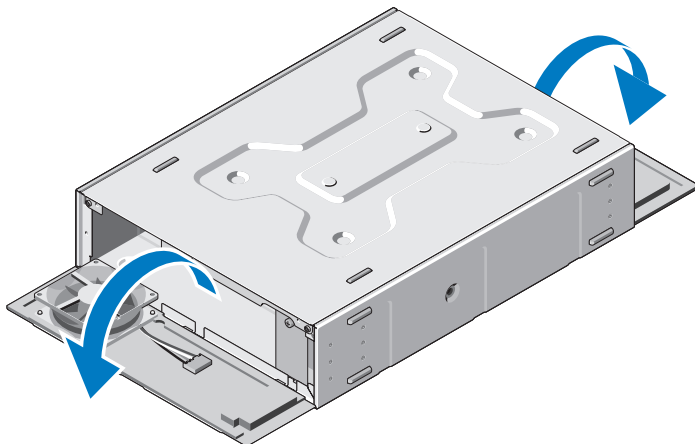


1 front panel

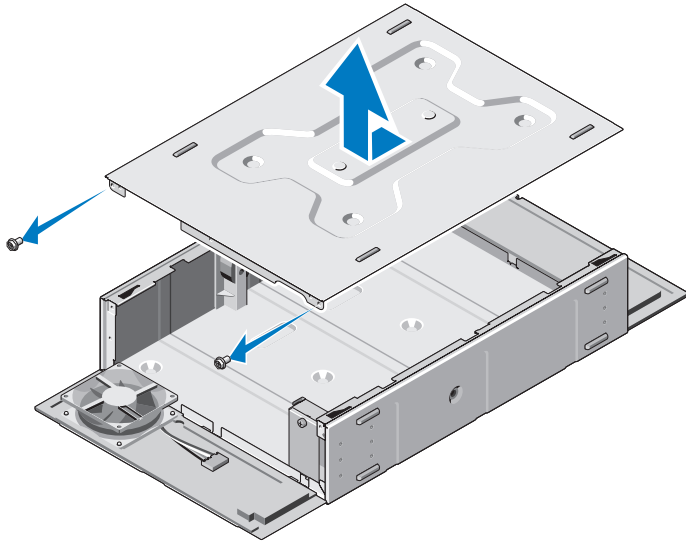
2 IP51 kit

3 back panel

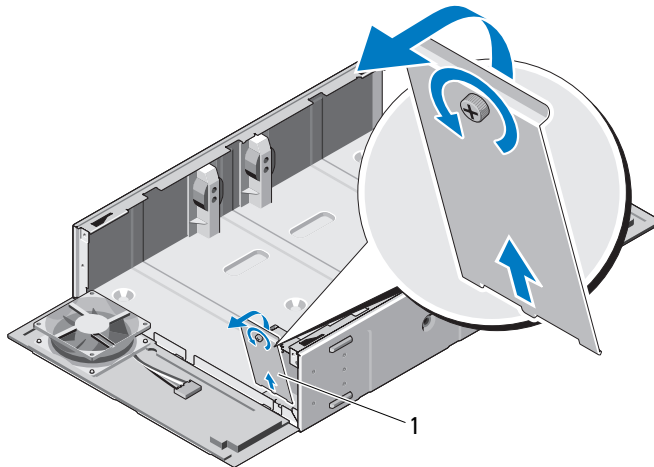
7 Open the front and back panels.



- 8 Remove the screws and open the top cover.

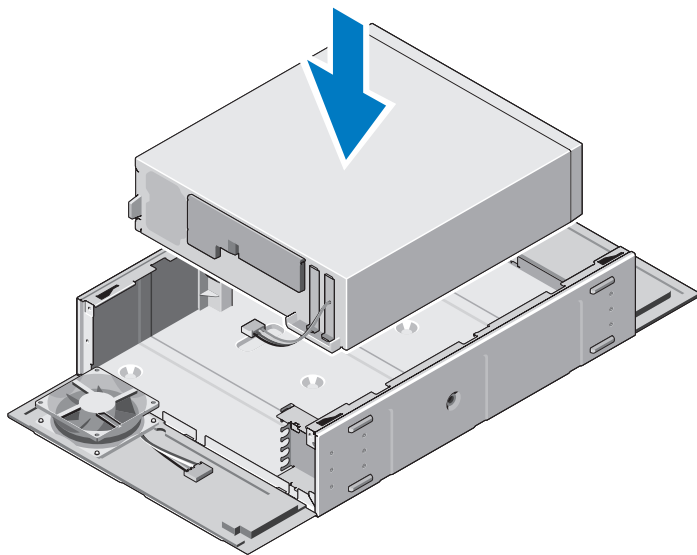


- 9 Loosen the screw and remove the cable cover.

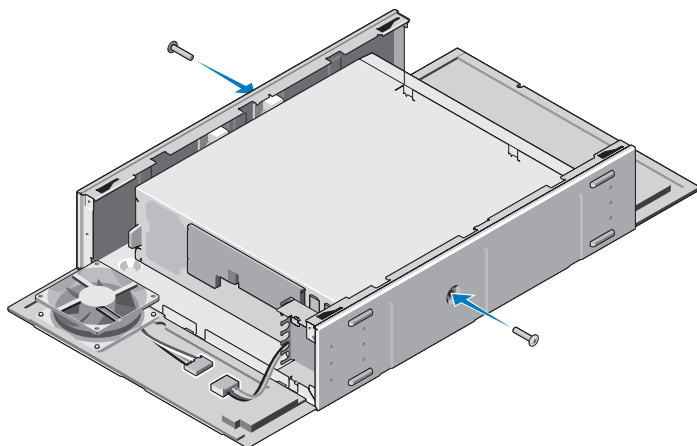


1 cable cover

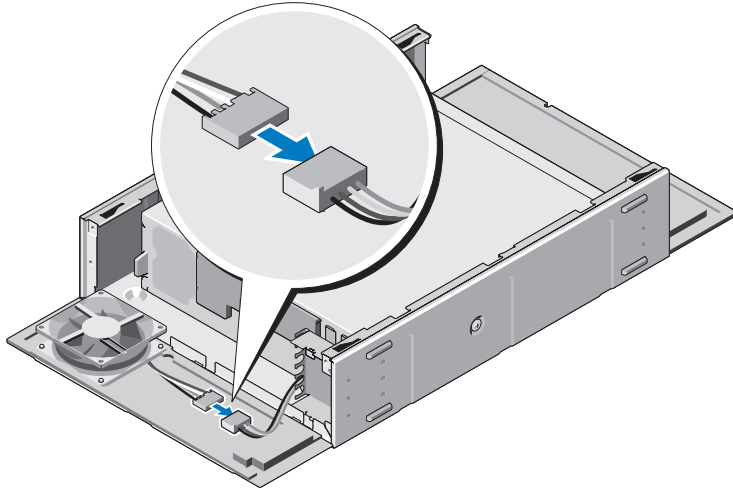
- 10** Place the computer into the IP51 kit.



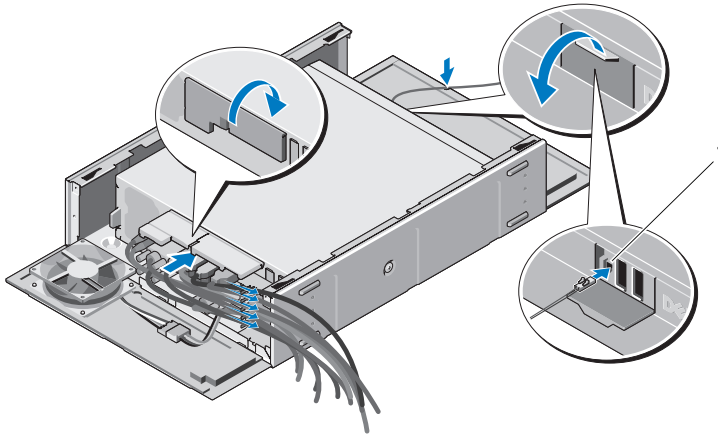
- 11** Fix the screws (supplied with IP51 kit) on the sides of the IP51 kit.



- 12** Connect the fan cable on the IP51 kit to the computer.

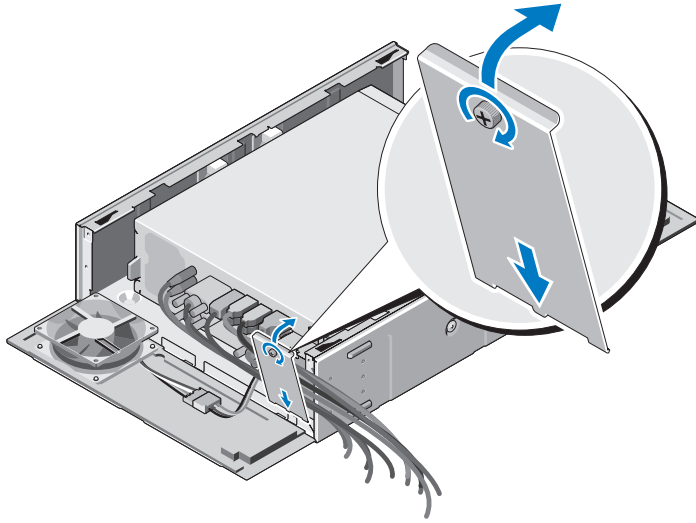


- 13** Connect the necessary cables to the back of the computer and arrange them in the slots provided on the IP51 kit.
- 14** Connect the external power-button connector to the front of the computer.

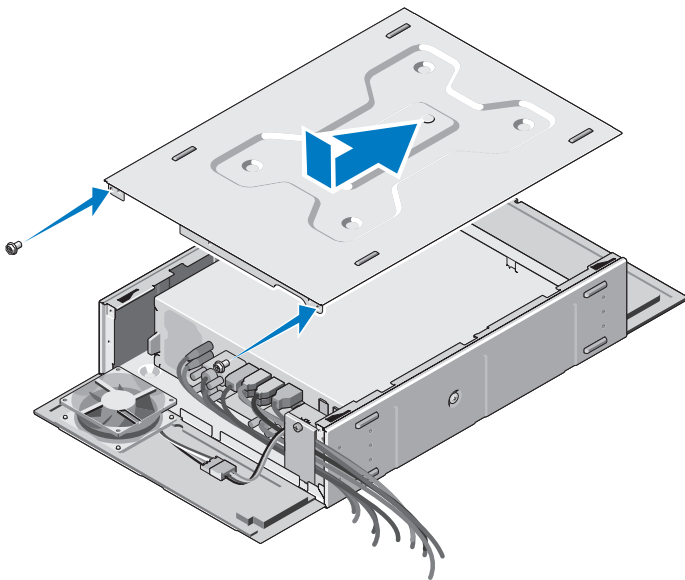


1 external power-button connector

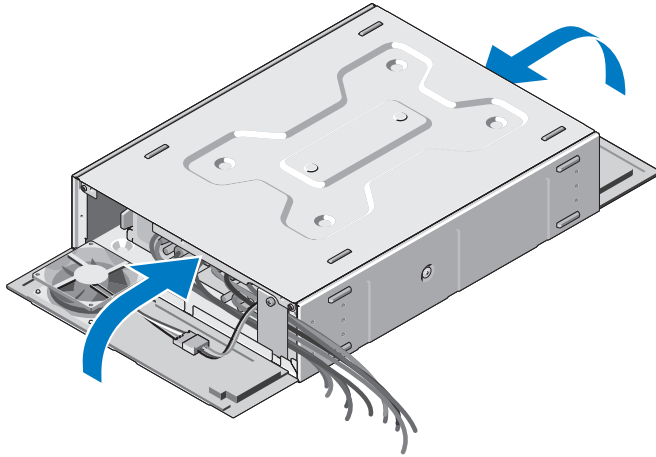
15 Replace the cable cover.



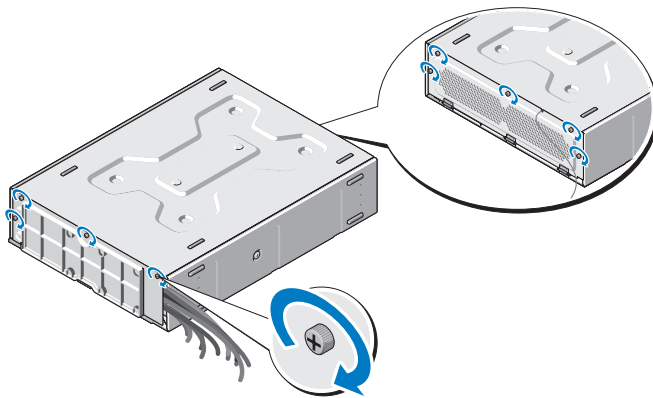
16 Replace the top cover and replace the screws.



- 17** Close the front and back panels of the IP51 kit.



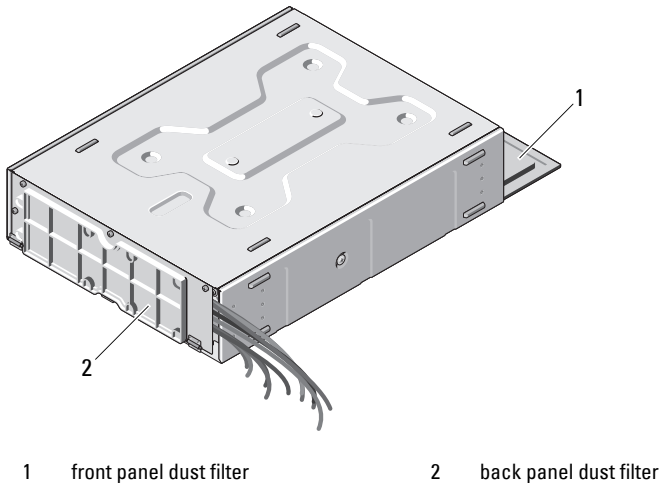
- 18** Replace the front- and back-panel screws.



Cleaning the Dust Filter on the IP51 Kit

The IP51 kit has removable dust filters on front and back panels to prevent dust from entering the computer. It is recommended that you regularly clean the dust filters using a wet towel, a soft brush, or a vacuum cleaner.

⚠ CAUTION: Do not use a hard brush or any other hard material to clean the dust filters.



**Information in this document is subject to change without notice.
© 2010 Dell Inc. All rights reserved.**

Reproduction of these materials in any manner whatsoever without the written permission of Dell Inc. is strictly forbidden.

Trademarks used in this text: *Dell*, the *DELL* logo, and *OptiPlex* are trademarks of Dell Inc.

Other trademarks and trade names may be used in this document to refer to either the entities claiming the marks and names or their products. Dell Inc. disclaims any proprietary interest in trademarks and trade names other than its own.